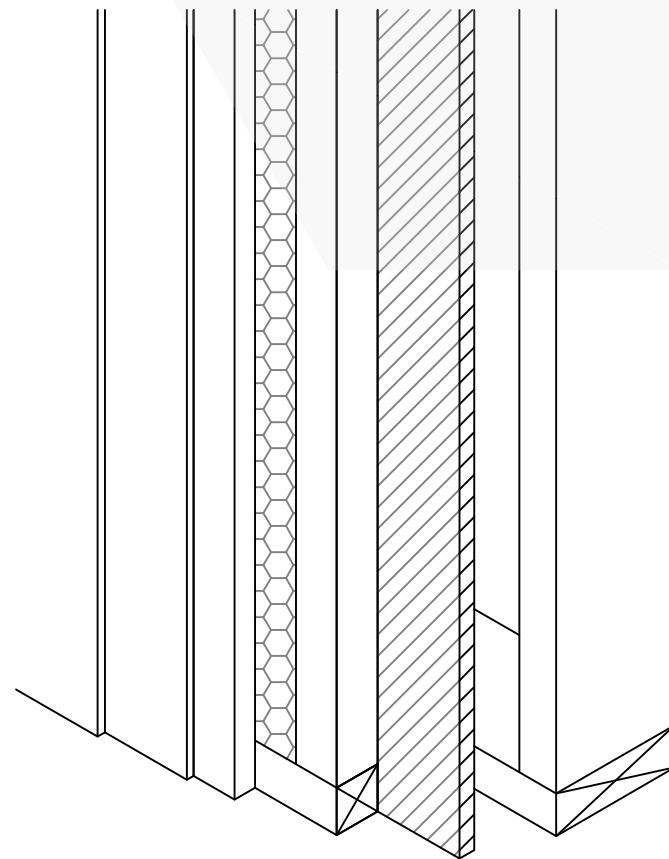


WALL TYPE: External wall composite aluminium

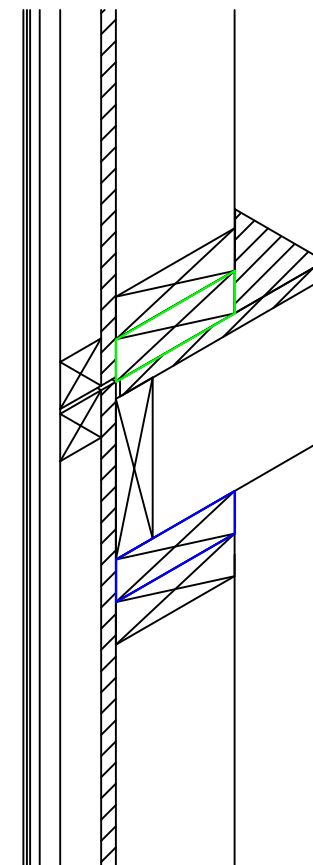


Thermal conductivity and thermal resistance are BS EN 12664, BS EN 12667 & BS EN 12939

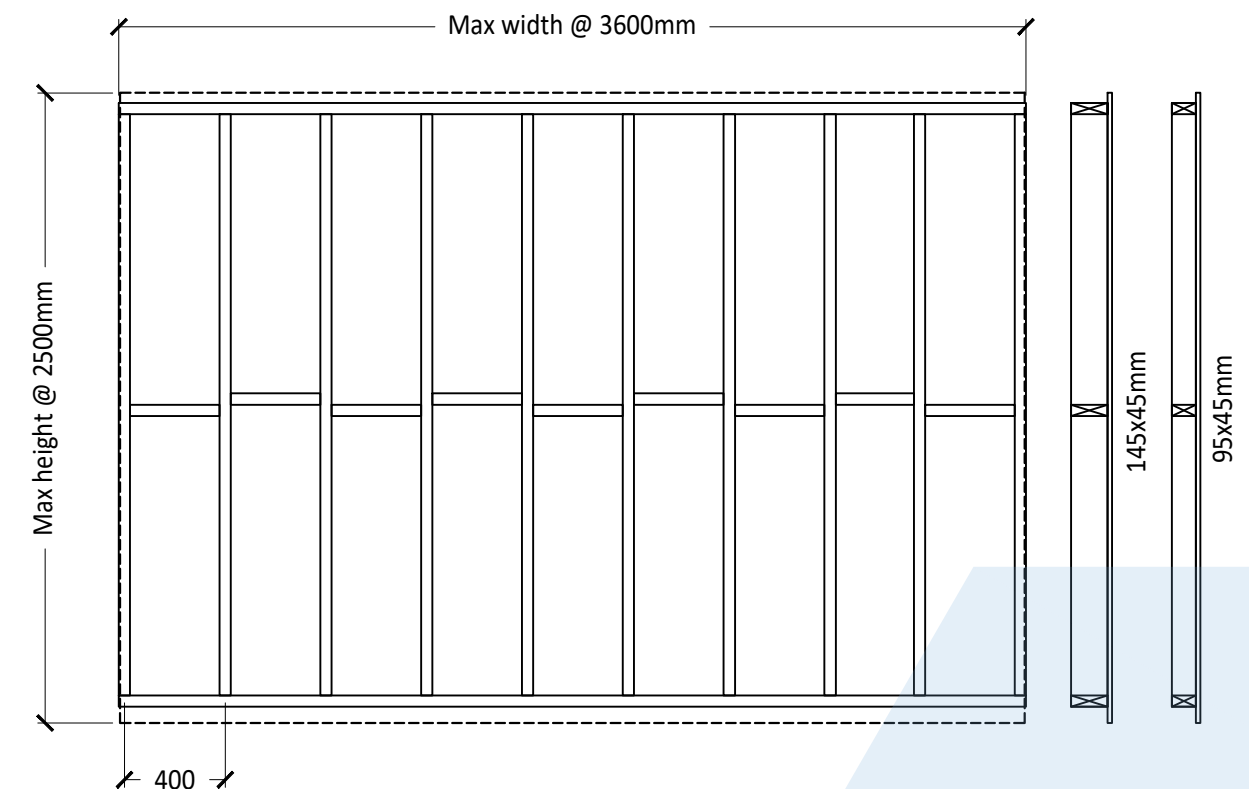
Typical external wall: 0.17 W/m²k



Site fixed to alleviate horizontal joints between ground and first floor



Typical manufacturing external wall panel



Typical external wall build up: 261.5mm

- 12.5mm Wallboard with 3mm skim (Service zone if required)
- Vapour control layer
- C24 grade 145x45mm Timber framework @ 400mm centers with 100mm Mineral wool loft roll insulation to cavity (0.044 W/mk)
- 18mm OSB structural board (0.13 W/mk)
- 50mm Rigid Insulation (0.021 W/mk)
- Breather membrane
- C16 50x25mm Vertical timber batten
- 4mm Composite aluminium jointing strip
- 4mm Composite aluminium panel (sizes: 1220mmx3050mm, 1500mmx3200mm & 2000mmx4000mm)

Typical external wall and floor junction detail

- Green denotes: Sole plate prefixed to floor cassette before wall installation.
- Blue denotes: Binder plate fixed to top of walls, after wall installation.