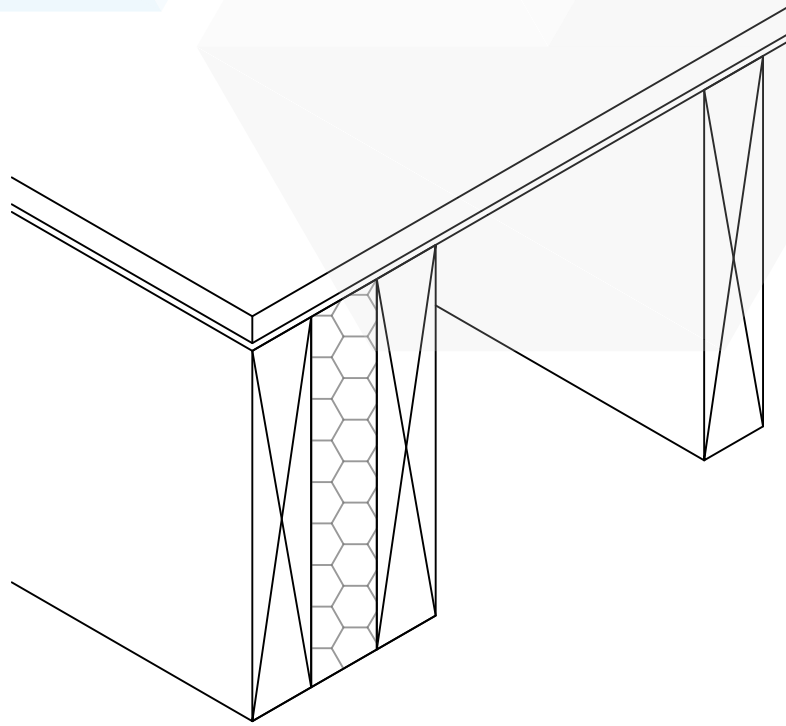


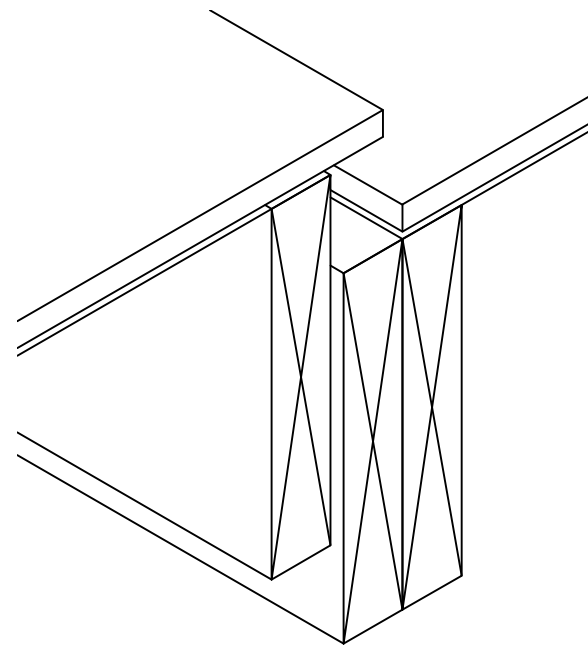
FLOOR TYPE: Intermediate floor cassette

Thermal conductivity and thermal resistance are BS EN 12664, BS EN 12667 & BS EN 12939

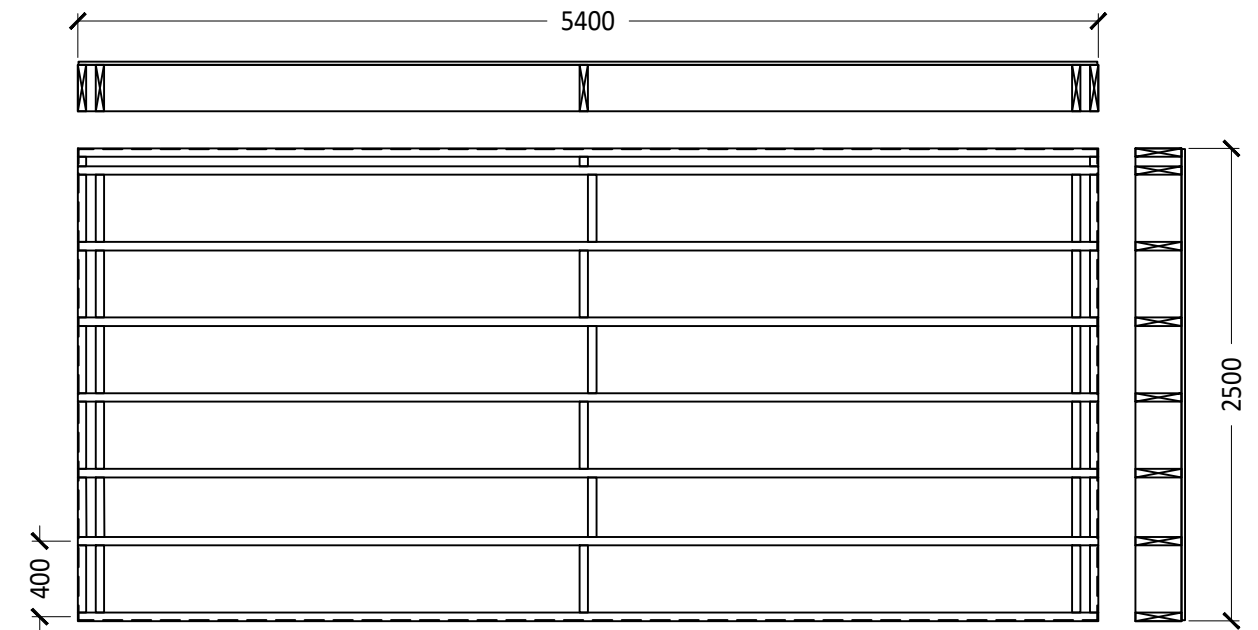
Typical floor cassette



Flying and receiving edge connection detail



Typical floor cassette manufacturing drawing

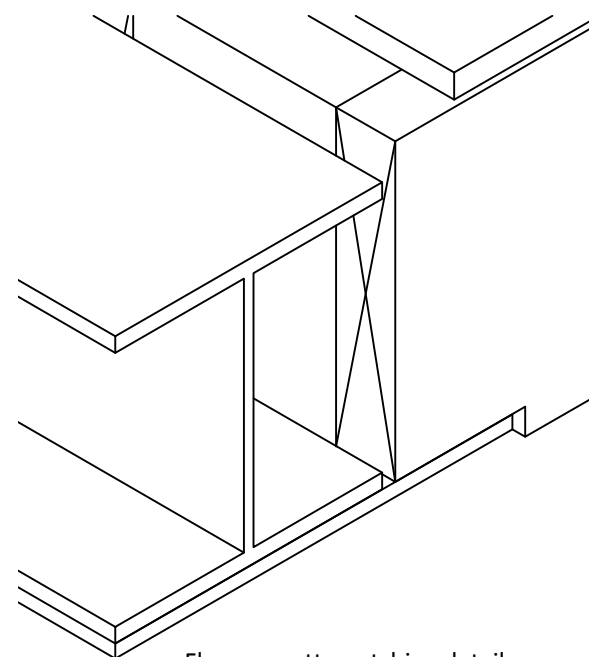


Typical intermediate floor build up: 298.5mm

- 12.5mm Wallboard with 3mm skim
- C24 245x45mm timber joists, joists set @ 400mm centres
- 18mm OSB/3 structural board (0.13 W/mk)
- 20mm Timber floor finish

*Notes:

- Timber joist depth will be dependant on structural engineers requirements
- 50mm rigid insulation will be added to the external face of the floor cassettes



Floor cassette notching detail