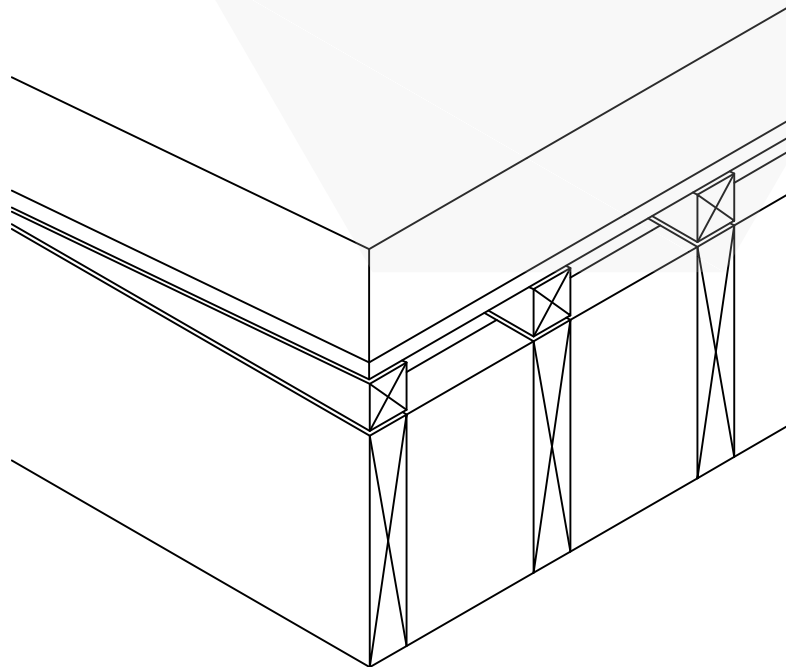


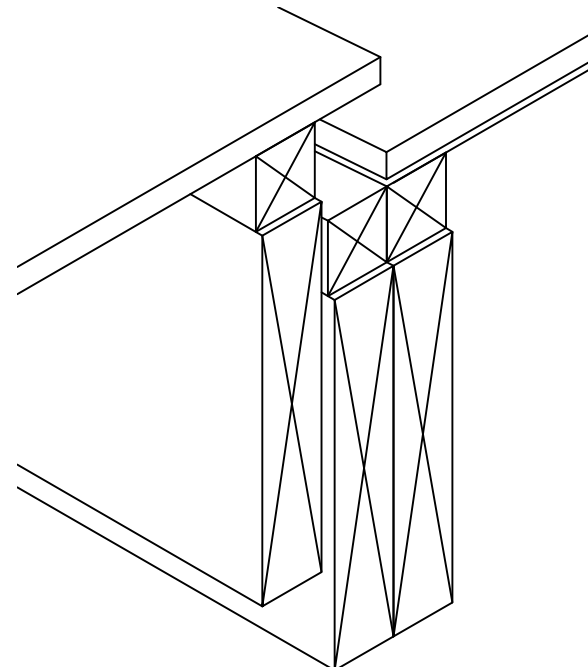
# ROOF TYPE: Flat roof cassette

Thermal conductivity and thermal resistance are BS EN 12664, BS EN 12667 & BS EN 12939

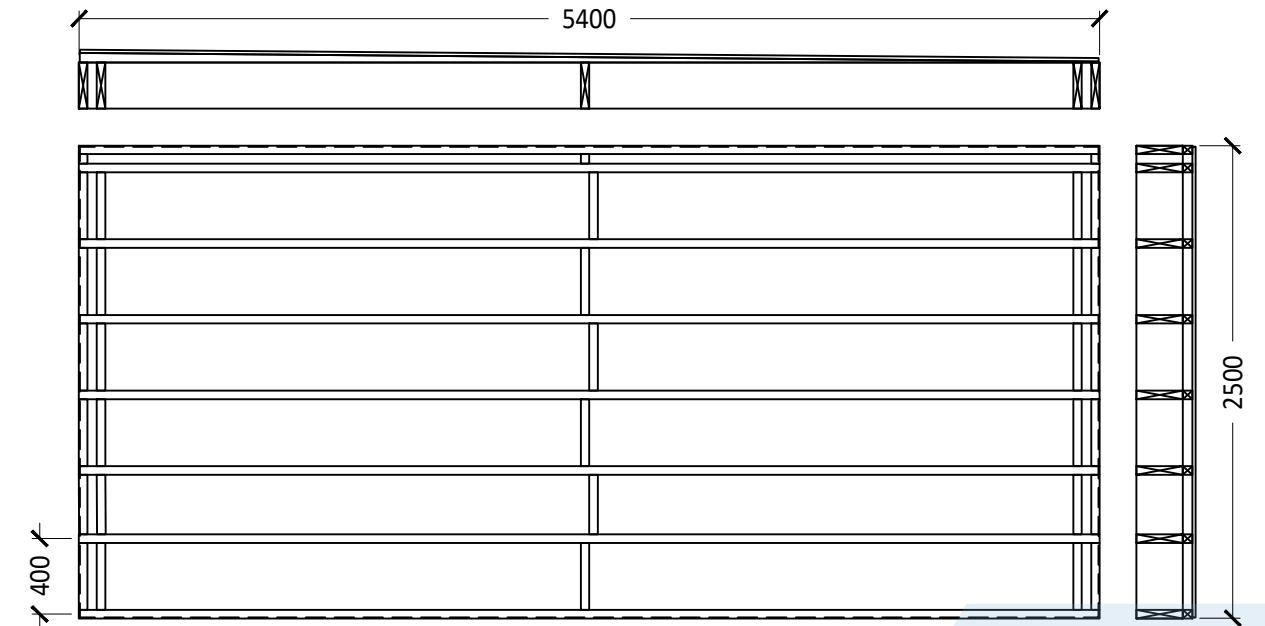
Typical flat roof cassette



Flying and receiving edge connection detail



Typical flat roof cassette manufacturing drawing

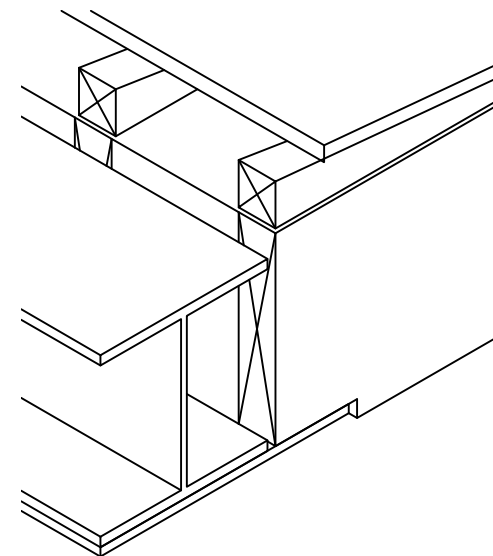


Typical flat roof build up: 448.5mm (based on a 50mm furring)

- 12.5mm Wallboard with 3mm skim (0.19 W/mk)
- C24 245x45mm timber rafters, rafters @ 400mm centres
- 100mm Mineral wool insulation to cavity (0.044 W/mk)
- 50mm to 5mm timber furring to create fall 1:80
- 18mm OSB/3 structural board (0.13 W/mk)
- Alutrix 600 vapour control layer
- 120mm Rigid tissue faced insulation (0.024 W/mk)
- Armourplan SG single ply membrane

## \*Notes:

- Timber joist depth will be dependant on structural engineers requirements
- 50mm rigid insulation will be added to the external face of the floor cassettes



Flat roof cassette notching detail