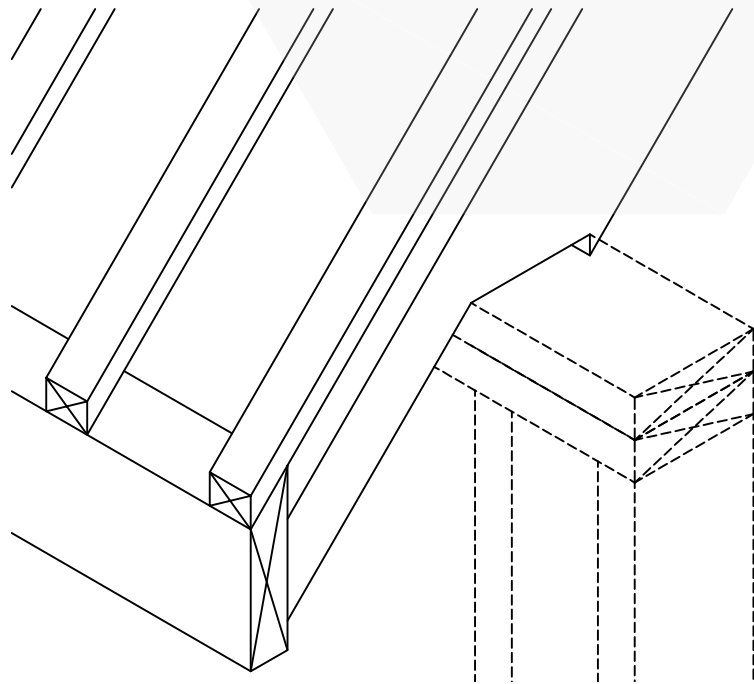


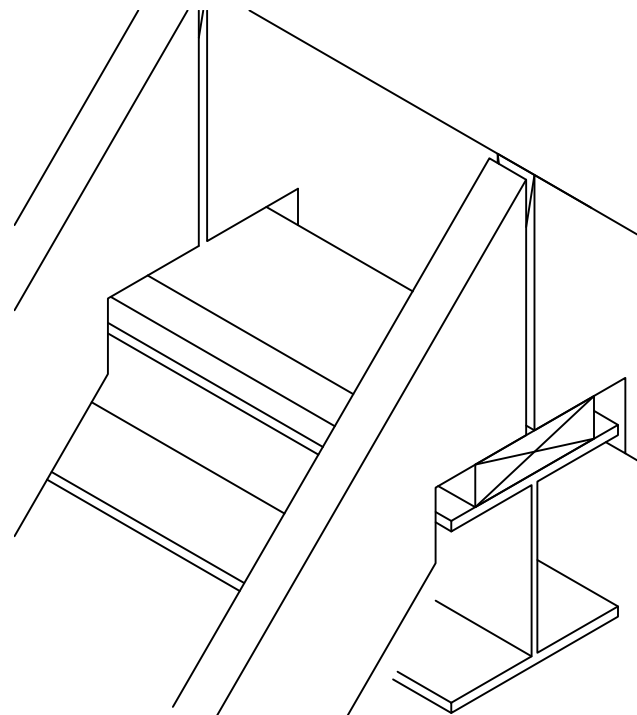
ROOF TYPE: Pitched roof cassette

Thermal conductivity and thermal resistance are BS EN 12664, BS EN 12667 & BS EN 12939

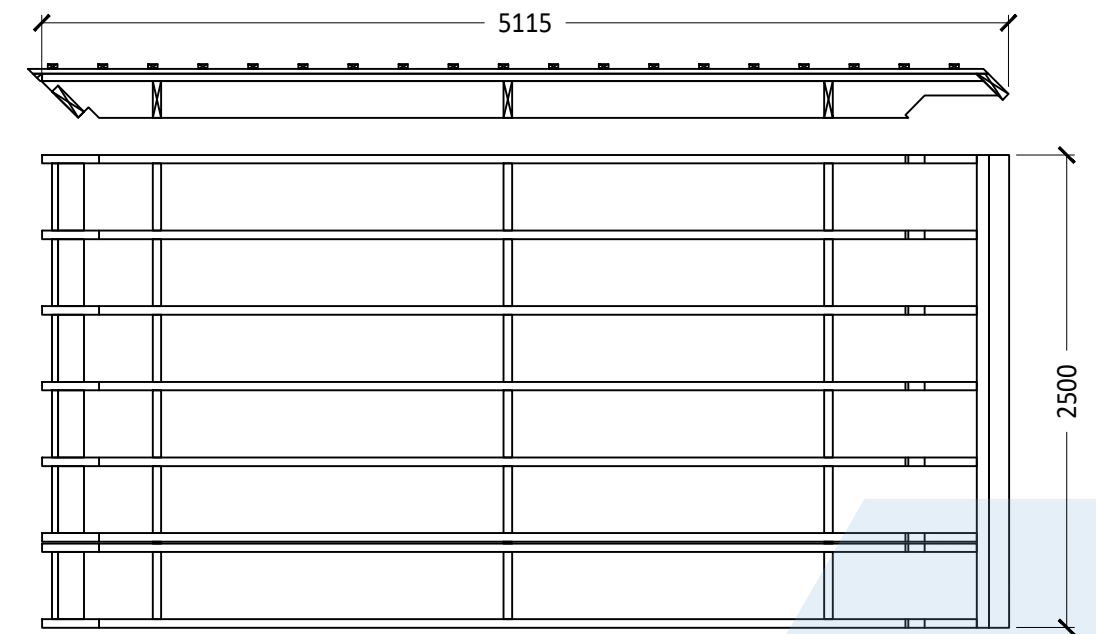
Typical Eaves detail



Typical ridge connection detail



Typical pitched roof cassette manufacturing drawing



Typical pitch roof build up: 315.5mm

- 12.5mm Wallboard with 3mm skim (0.19 W/mk)
- Vapour control layer
- C24 195x45mm timber rafters, rafters @ 400mm centres
- 140mm Rigid insulation to cavity (0.022 W/mk)
- 40mm Rigid insulation to top (0.022 W/mk)
- 50x25mm Timber batten
- Breather membrane
- 50x25mm Timber counter batten
- Roofing tiles (TBC by client)

*Notes:

- Timber joist depth will be dependant on structural engineers requirements