

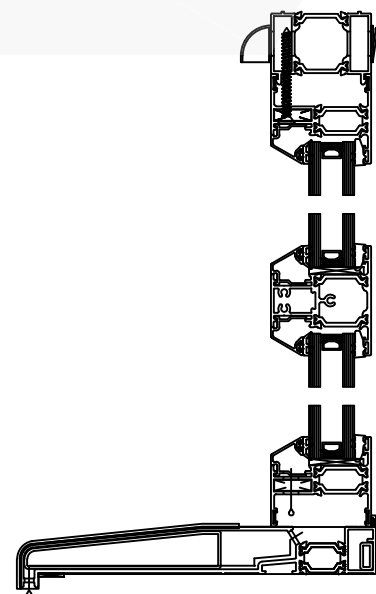
ALUMINIUM WINDOWS: Alitherm 300 series



Bespoke Modular
Developments

All windows & doors can be aluminium but we also able to offer timber & uPVC

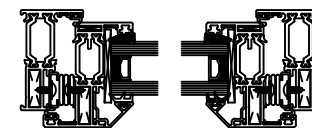
Typical window manufacturing drawings



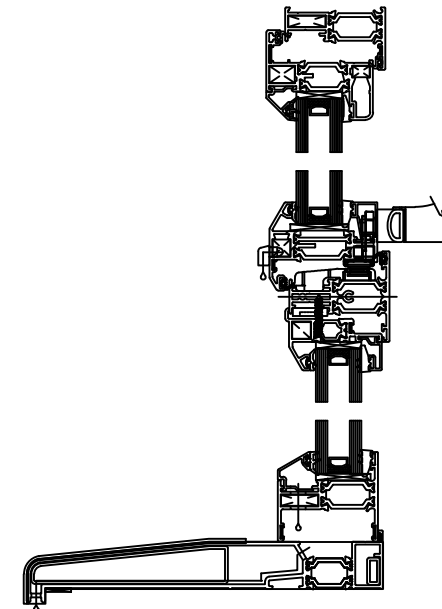
Section: Fixed with transom



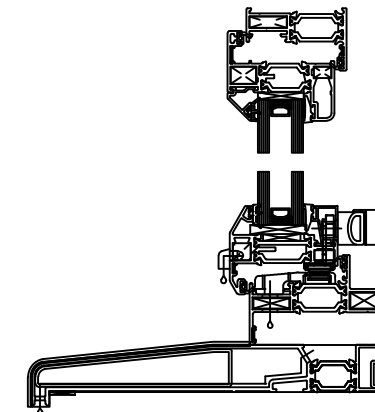
Plan: Fixed window



Plan: Opening window



Section: Top opening fixed bottom



Section: Top hung

- Our standard cill size is 220mm, this works the best with our system
- All Windows and doors are quoted with a variety of manufacturing's to give the client the best possible price
- All aluminium windows and doors can be powercoated in a variety of colours
- uPVC is also a great option to cut costs and also has a large colour range (this excludes bi-fold doors)